



INSTALLATION INSTRUCTIONS

Product: Adjustable Coil Spacers (ACOS™)

Part Number: JKS2211

Applications: Jeep Wrangler JL, 2018; JT Gladiator, 2020

517-278-1226 • jks@ridefox.com • www.jksmfg.com
491 W. Garfield Avenue, Coldwater, MI 49036

Welcome

CONGRATULATIONS on your purchase of a new JKS ACOS™ system! At JKS Manufacturing, we are committed to providing you with the best products available and your satisfaction is our first priority.

PLEASE READ these Installation Instructions carefully, and save them for future reference, as they contain important installation and maintenance information.

Tools Required

- Hydraulic Floor Jack and Jack Stands
- Metric/Standard Socket Wrench Set
- 8mm and 1/4" Allen Wrenches
- Die Grinder with Cut-Off Wheel (or reciprocating saw)
- Grinding Wheel (or similar tool)
- File or Deburring Tool
- 1/4" Drill Bit
- Rubber or Plastic Mallet *
- Tape Measure
- Spray Lubricant (WD-40 or similar)
- Anti-Seize Lubricant
- Medium Strength Threadlocker.

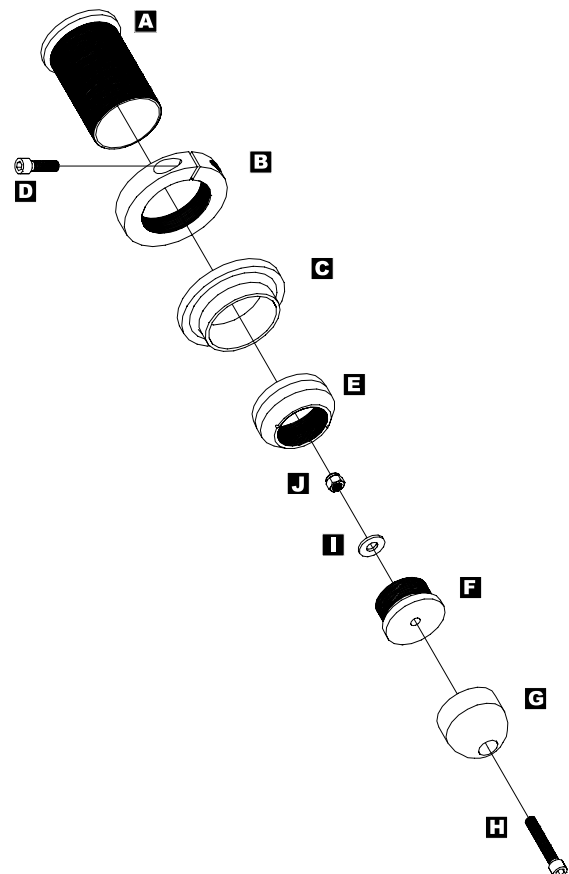
Important

MOST VEHICLES REQUIRE additional parts or modifications to accommodate the immediate increase in ride height provided by the ACOS system.

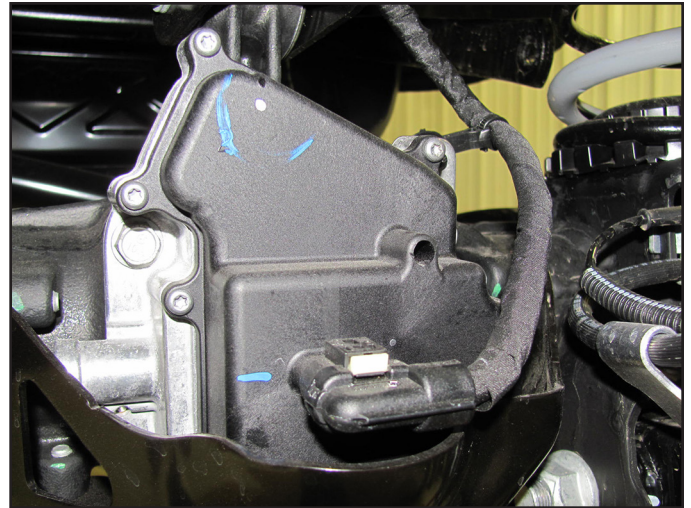
DO NOT EXCEED maximum range of adjustment – see illustration on page 4.

NOT COMPATIBLE with Rancho, TrailMaster, Rough Country, Fabtech or Metacloak coil springs.

Parts



	Description	QTY
A	Threaded Tube	2
B	Adjuster Ring	2
C	Isolator Pad	2
D	5/16" x 1-1/4" Cap Bolt	2
E	Bump Stop Adapter	2
F	Bump Stop Plug	2
G	Polyurethane Bump Stop	2
H	10mm x 55mm Cap Bolt	2
I	3/8" Flat Washer	2
J	10mm Locking Nut	2

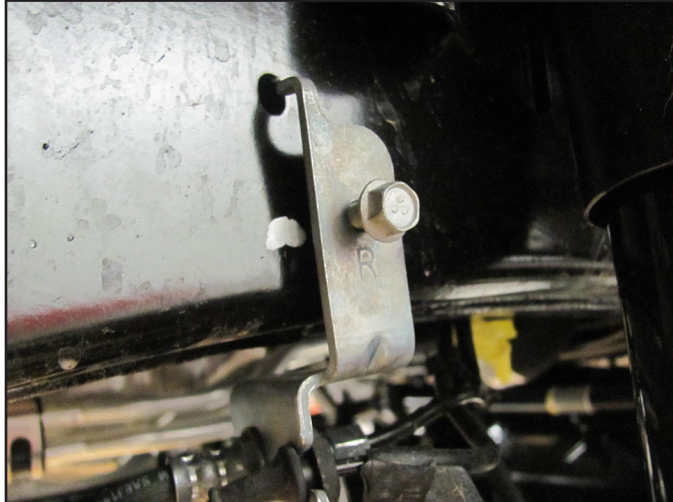
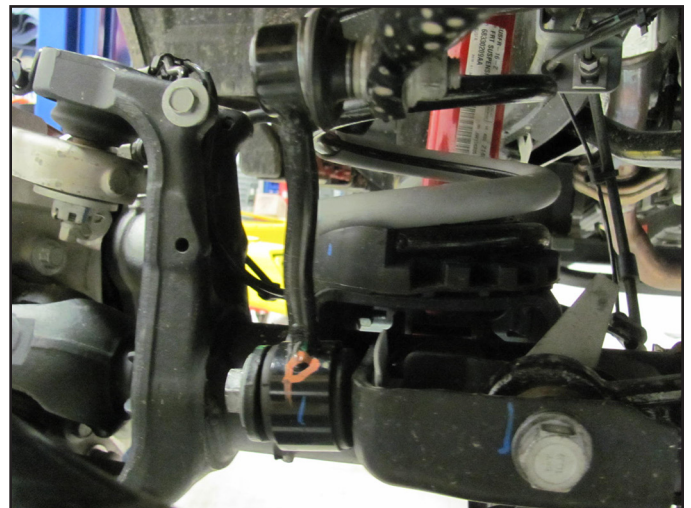


- Disconnect the sway bar links from the axle (18mm). Discard links, save lower hardware.

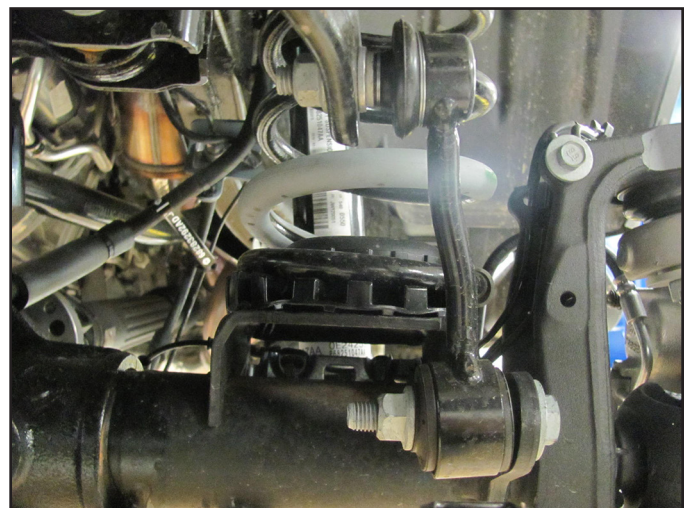
Installation

□ 1. REMOVE FRONT COIL SPRINGS

- Disconnect the front track bar (21mm) from the axle. Save bolt and nut tab.
- Raise the vehicle and support the frame with jack stands behind the front lower control arm pockets.
- Remove the wheels.
- Disconnect the front brake line brackets from the frame rails (10mm).



- Rubicon models: Disconnect the front locker wires from the differential.
- Disconnect the front axle disconnect wiring harness and pull out the (2) push pins that mount the harness to the axle.

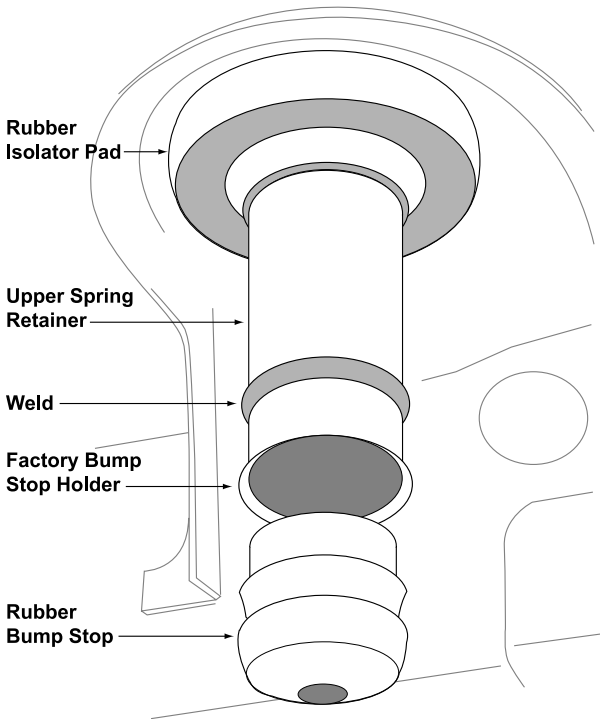


- Support the front axle with a hydraulic jack. Remove the lower front shocks mounting bolts (18mm). Save lower hardware.
- Lower the front axle and remove the coil springs. As the axle is lowered, verify all brake and electrical wires have enough slack and the driveshaft doesn't bind.

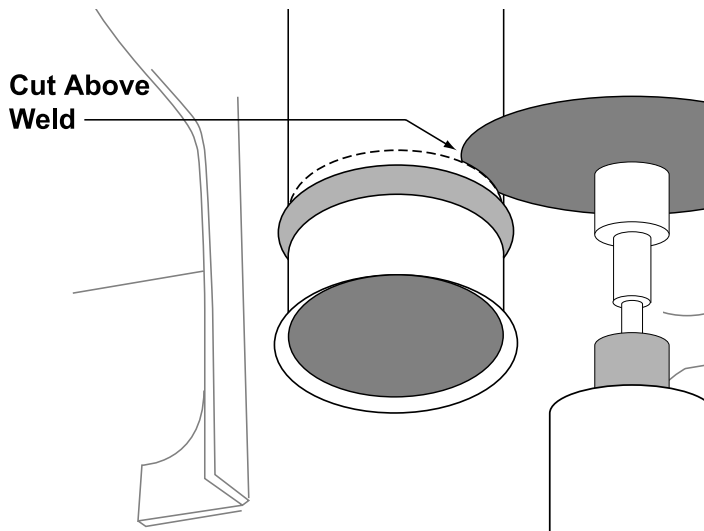
□ 2. PREPARE SPRING RETAINER

The factory bump stop holder is welded to the upper spring retainer and must be permanently removed in order to install the ACOS™.

- Pry the rubber bump stop (jounce bumper) free from the bump stop holder.
- Remove the rubber isolator pad from the upper coil spring retainer.

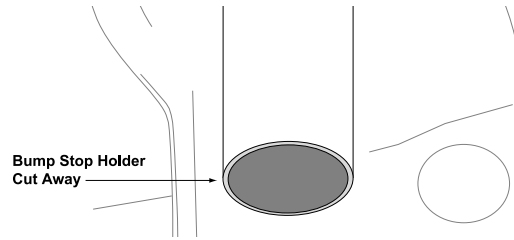


- Locate the factory weld that secures the bump stop holder to the upper coil spring retainer.



- Cut away the bump stop holder immediately above the weld as illustrated. **HINT:** A die grinder with

cut-off wheel or reciprocating saw is useful for cutting away the bump stop holder.

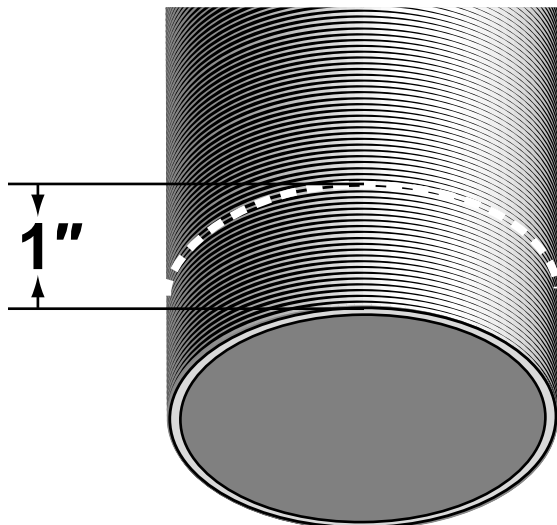


- Remove any sharp edges from the cut portion of the upper spring retainer. **HINT:** A file or deburring tool is useful for removing sharp edges.

□ 3. SHORTEN THREADED TUBE OF ACOS

On vehicles with a net lift height of less than 1", it will be necessary to shorten the Threaded Tube (A) to provide sufficient clearance between the Bump Stop (G) and the axle pad. This step will reduce the maximum adjustment height from 3.5" to 2.5". Example situation: Coils have sagged 1" below stock as a result of a heavy bumper, ACOS installed to reset ride height to factory - will require this trimming procedure. If you have questions about your application or this modification please contact JKS Manufacturing Tech Support.

- Measuring 1.0" from the threaded end, mark a line on the Threaded Tube (A).



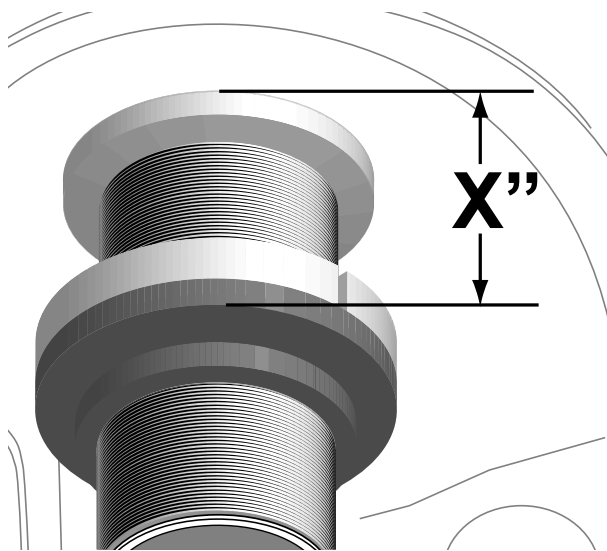
- Remove the excess portion by cutting completely through the Threaded Tube (A) at the location marked in the previous step. **HINT:** A band saw is useful for cutting the
- Threaded Tube, although a sharp hack saw with an appropriate fine tooth blade or cutting wheel may also be used. Use extreme care to avoid damaging remaining threads.
- Inspect end of Threaded Tube (A) for damaged threads and repair as needed. **HINT:** A 16TPI

thread restoring file or equivalent is useful for repairing threads.

❑ 4. SET ADJUSTER RING FOR DESIRED RIDE HEIGHT

- Apply spray lubricant to threads of Threaded Tube (A).
- Install Adjuster Ring (B) by threading it onto the Threaded Tube (A).
- Slide Isolator Pad (C) onto Threaded Tube (A) until flush with Adjuster Ring (B).

IMPORTANT: Vehicle ride height is determined by measuring the distance between the bottom of upper spring mount and bottom of Isolator Pad, and then subtracting 1/2" (0.50 in.).



$$X'' - 1/2'' = \text{Lift Height}^*$$

* Represents increase in ride height over OE Suspension



WARNING

**DO NOT EXCEED
MAXIMUM RANGE OF ADJUSTMENT**

Adjustment Range*

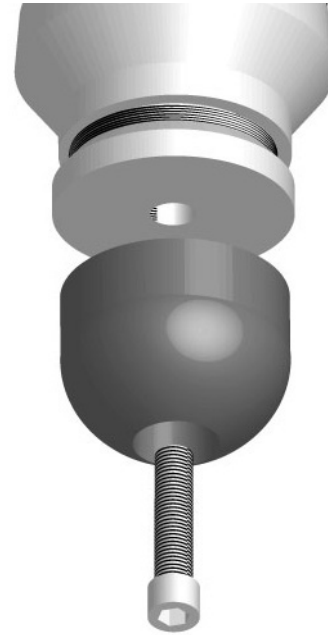
Minimum: 1" (1.0 in)

Maximum: 3-1/2" (3.5 in.)

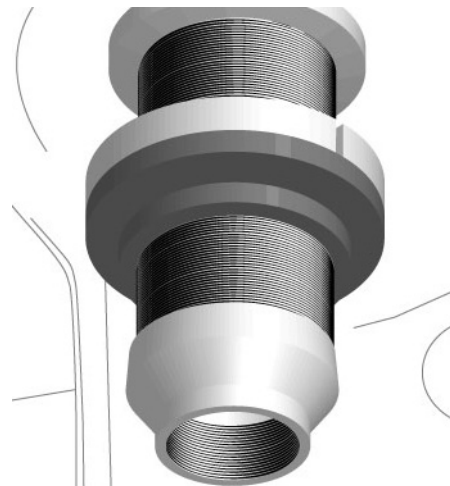
- Rotate Adjuster Ring (B) to desired position and tighten the recessed 5/16" x 1-1/4" Cap Bolt (D) to lock in place.

❑ 5. INSTALL BUMP STOP

- Insert the 10mm x 90mm Cap Bolt (H) into the recessed hole in Polyurethane Bump Stop (G) and through the hole in the bottom of the Bump Stop Plug (F).



- Secure the Polyurethane Bump Stop (G) to the Bump Stop Plug (F) by installing the 3/8" Flat Washer (I) and 10mm Locking Nut (J)
- Slowly tighten 10mm x 90mm Cap Bolt (H) until the sides of the Polyurethane Bump Stop (G) begin to bulge. Do NOT overtighten!
- Apply a drop of medium strength thread locking compound to bottom few threads of Threaded Tube (A).



- Install Bump Stop Adapter (E) onto Threaded Tube (A) and tighten by hand until snug.

IMPORTANT: If flange end of Threaded Tube (A) begins to pull away from the upper spring mount before the Bump Stop Adapter (E) is completely installed, turn the Bump Stop Adapter counter-clockwise one full

turn and reseal Threaded Tube against upper spring mount.

- Apply anti-seize lubricant to threads of Bump Stop Plug (F).
- Install Bump Stop Plug (F) with the bump attached by threading it completely into the Bump Stop Adapter (E)

□ **6. RE-INSTALL FRONT COIL SPRINGS**

- Re-install the front coil springs
- Raise the axle and re-install the shocks with the factory hardware. Torque the bolts to 60 ft-lbs.
- Rubicon models: Reattach the locker wire harness to the differential.
- Reattach the front axle disconnect harness.
- Reattach the front brake lines to the frame with original bolts.
- Re-install the sway bar links to the axle and torque to 60 ft-lbs.
- Install the wheels and torque to the lug nuts to 130 ft-lbs. Lower the vehicle to the ground.
- Attach the front track bar to the axle with the OE hardware. Have an assistance turn the steering wheel to aid in aligning the track bar bolt. Torque the track bar bolt to 115 ft-lbs.
- Review the front disassembly procedure and make sure everything has been re-installed and tightened.

Ride Height Adjustments

Future ride height adjustments should be made

with **NO LOAD** on the front coil springs, and the suspension at **FULL DROOP**.

NEVER TURN Adjuster Ring (B) while under tension

and **ALWAYS APPLY SPRAY LUBRICANT** to Threaded Tube (A) before adjusting.

Maintenance

Regular cleaning with pressurized water is recommended to maximize ease of operation and reliability.

In addition, the Bump Stop Adapter (E) has two 1/8" drainage holes that evacuate any water collected inside the upper spring retainer. Periodically check for blockages and clear the drainage holes if necessary.

©2022 JKS Manufacturing, Inc Revision Date 6/30/2022



ATTENTION INSTALLER

IMPORTANT NOTE REGARDING SHOCK ABSORBERS

To prevent the coil springs from becoming unseated during maximum suspension extension, correct length shock absorbers must be installed.

Operation

Operation

Ride Height Adjustments

Future ride height adjustments should be made

with **NO LOAD** on the front coil springs, and the suspension at **FULL DROOP**.

NEVER TURN Adjuster Ring (B) while under tension

and **ALWAYS APPLY SPRAY LUBRICANT** to Threaded Tube (A) before adjusting.

Maintenance

Regular cleaning with pressurized water is recommended to maximize ease of operation and reliability.

In addition, the Bump Stop Adapter (E) has two 1/8" drainage holes that evacuate any water collected inside the upper spring retainer. Periodically check for blockages and clear the drainage holes if necessary.

©2019 JKS Manufacturing, Inc & Aftermarketing, LLC
Revision Date 5/15/2019